

BRITLUX[®]

Versolight SL-A1 LED Street Light



IP66 water-proof



AC100-277V 50/60Hz



Easy Installation



140lm/W

Operating Temp.: -40°C ~+50°C

Storage Temp.: -40°C ~+80°C

Options

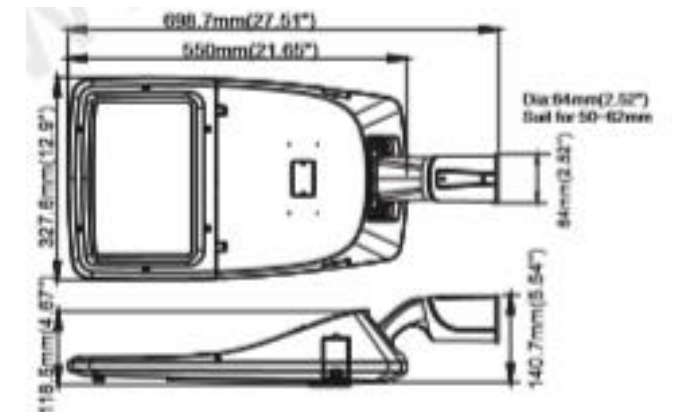
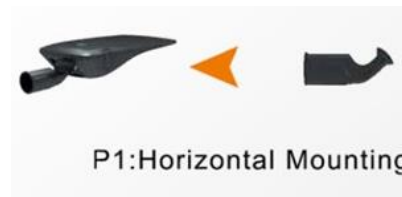
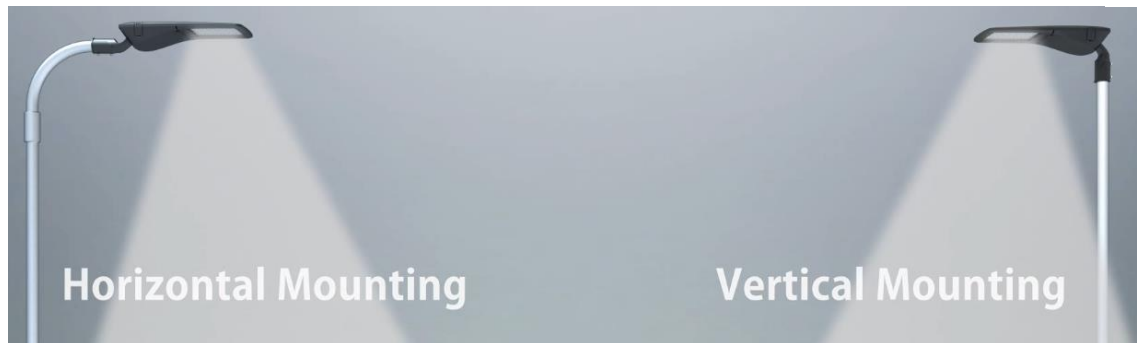
Power

MEAN WELL DRIVER

ELG series A: Standard

ELG series B: Dimmable 0-10V

ELG series DA: Dimmable DALI



Self-clean

Smooth body would greatly diminish dust accumulation and bird droppings heap up.

Buckle design

Buckle for fixing heat sink could be opened without tools, which keeps the installation and maintenance secure and convenient.

Housing Material

High strength and high quality ADC12 die casting aluminum body. Die casting aluminum housing with reliable powder coating for harsh outdoor environments. Dustproof, waterproof.

Clear glass + Anti-UV PC Lens

Adopt LUMILEDS original led light source, provide types of optional beam angle (120×90° / 120×65° / 60°), control the light distribution rationally, ensure street surface with ideal brightness and uniformity.

Power-off Protection

Power would automatically be off once the fixture body opened.





1. Driver Cool Heatsink
 2. Power-off Protection
 3. Fast Terminal Connector
 4. Levels
 5. Safety rope
 6. Driver
 7. High Quality 10KV/20KV SPD
 8. Tooling Thickness
- Waterproof Rubber